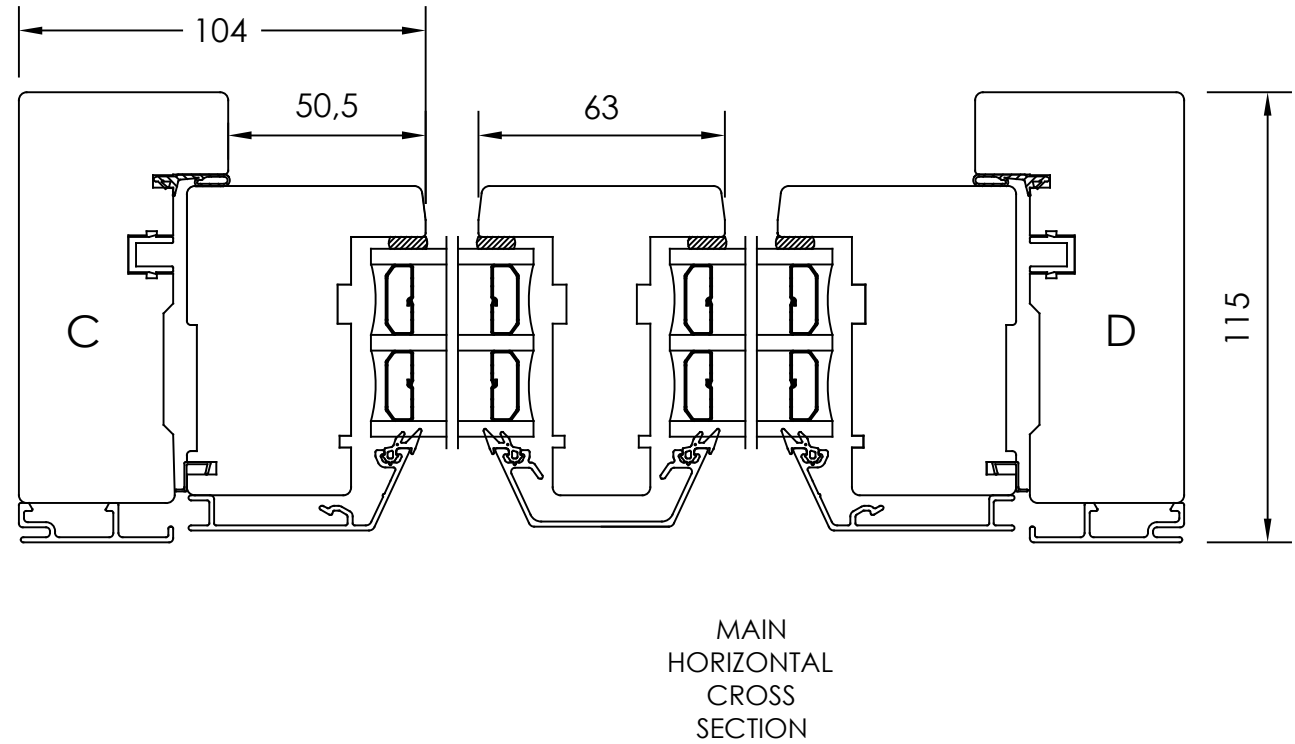
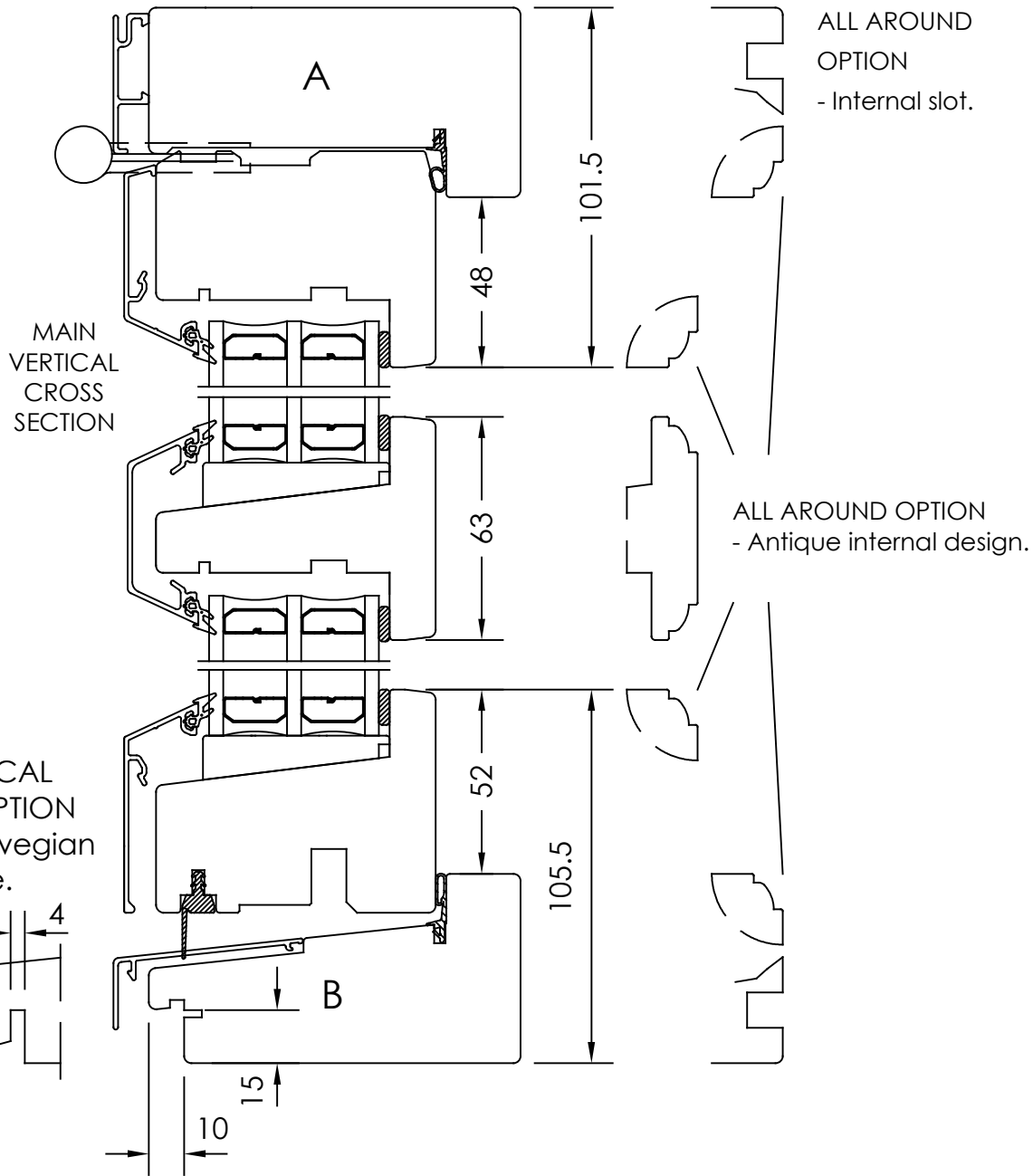


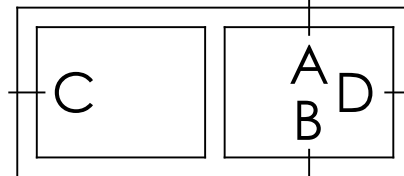
Rev	Description	Rev. by	Date

VERTICAL AND TOP OPTION
 - Profile for plastered fasades.
 Frame depth 117mm.



VERTICAL CS OPTION
 - Norwegian nose.

CS = CROSS SECTION



Designed by JW	Designed date 2023-09-26	Product Category Window Outward	Processing Code
Approved by JB	Approved date 2023-12-11	Product Type Top Hung	Material
		Överkantshängt 3-glas, alu, 48 mm Top hung 3-glass, alu, 48 mm	Tolerances unless otherwise specified ISO 2768-1 m
		Drawing Number 61-37-O221	View orientation Scale 1:1 Revision A

We reserve all rights in this document and in the information contained therein. Reproduction, use or disclosure to third parties without express authority is strictly forbidden. INWIDO